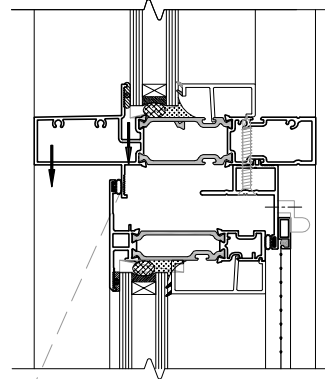
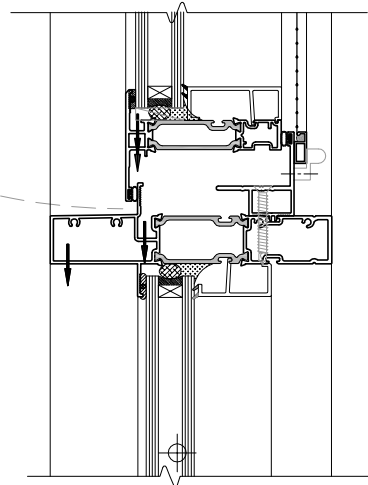


1 FIXED GLASS
@ AWNING VENT



2 AWNING VENT
@ FIXED GLASS



TORO
ALUMINUM

COMMERCIAL INDUSTRIAL RESIDENTIAL
330 APPLEWOOD CRESCENT TEL: (905) 738-5220
CONCORD, ONT. CANADA (416) 665-7864
L4K-4V2 FAX: (905) 738-5481

PROJECT NAME:

258T SERIES WINDOW

DRAWING TITLE:

SECTION DETAILS - TYPICAL