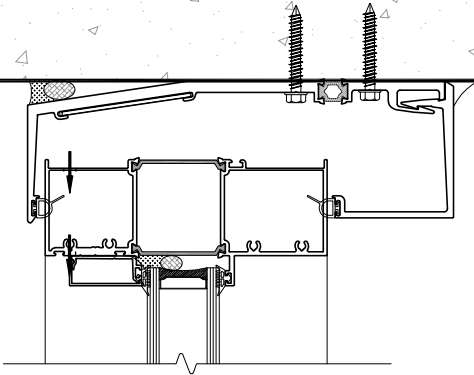
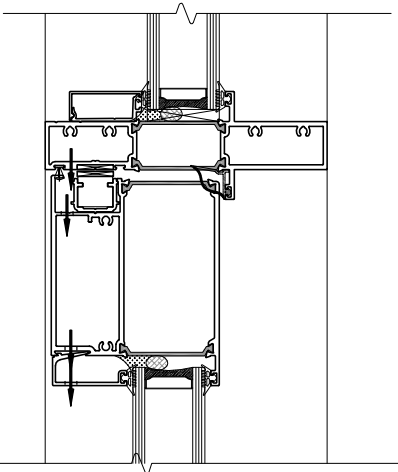


CONCRETE SLAB

1 HEAD
@ F.G.

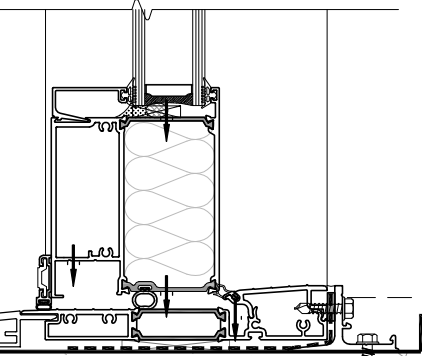


2 FIXED GLASS
@ 458T SWING DR.



3 SILL
@ 458T SWING DR.

SWING OUT



CONCRETE SLAB

TORO
ALUMINUM

COMMERCIAL INDUSTRIAL RESIDENTIAL
330 APPLEWOOD CRESCENT TEL: (905) 738-5220
CONCORD, ONT. CANADA (416) 665-7864
L4K-4V2 FAX: (905) 738-5481

PROJECT NAME:
258T SERIES WINDOW

DRAWING TITLE:
SECTION DETAILS - SWING DOOR - US